

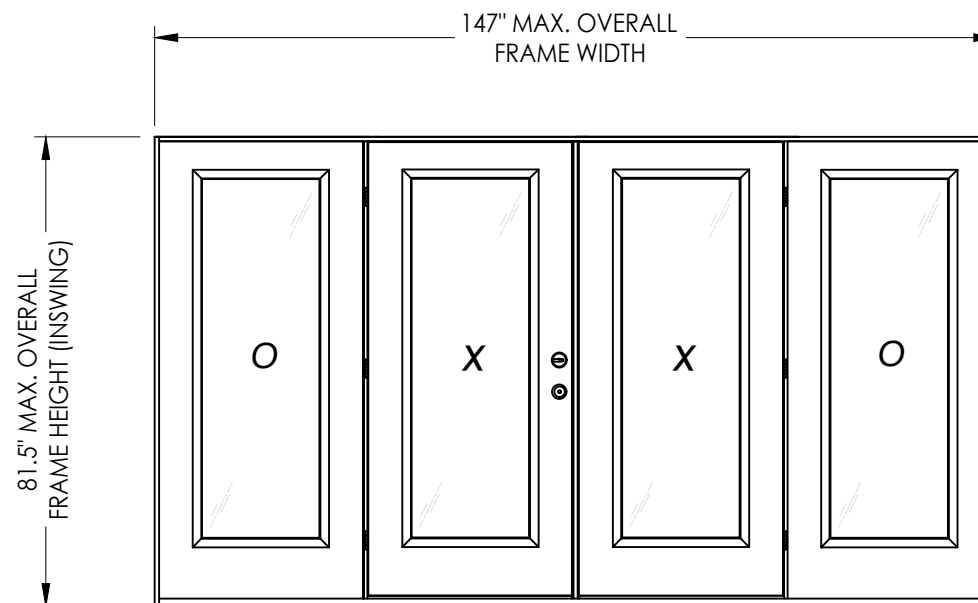
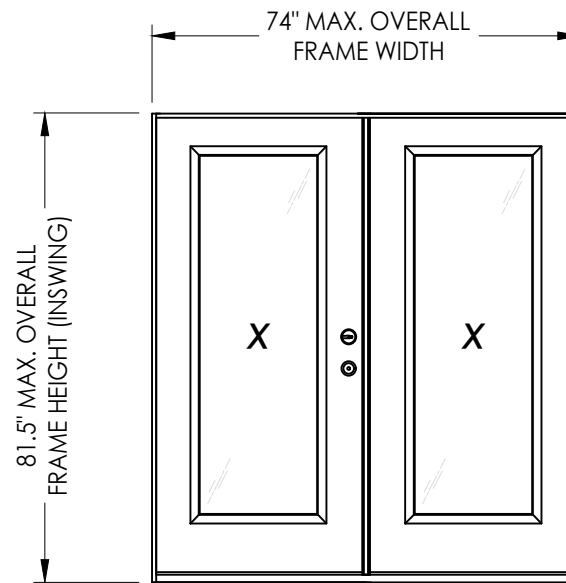


# GLAZED FIBERGLASS ENTRY DOOR DOUBLES w/ or w/out SIDELITES

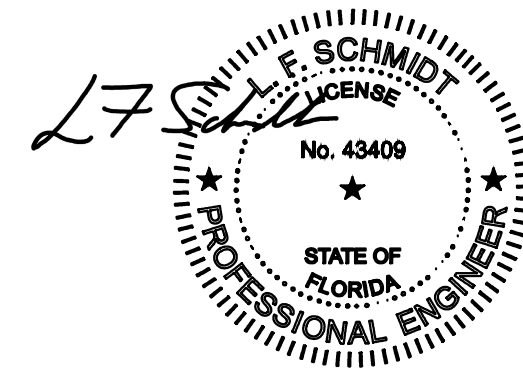
**INSWING  
"NON-IMPACT"**

GENERAL NOTES

1. This product has been evaluated and is in compliance with the 8th Edition (2023) Florida Building Code (FBC) structural requirements excluding the "High Velocity Hurricane Zone" (HVHZ).
2. Product anchors shall be as listed and spaced as shown on details. Anchor embedment to base material shall be beyond wall dressing or stucco.
3. When used in areas requiring wind borne debris protection, this product is required to be protected with an impact resistant covering that complies with FBC Sections 1609.1.2 & R301.2.1.2.
4. For 2x stud framing construction, anchoring of these units shall be the same as that shown for 2x buck masonry construction.
5. Site conditions that deviate from the details of this drawing require further engineering analysis by a licensed engineer or registered architect.



CONFIGURATION	MAX. FRAME DIMENSION	DESIGN PRESSURE (PSF) INSWING	
		POSITIVE	NEGATIVE
XX	74.0" x 81.5"	+40.0	-40.0
OXXO	147.0" x 81.5"	+40.0	-40.0



This item has been digitally signed and sealed by L. F. Schmidt, P.E. on the date adjacent to the seal. Printed copies of this document are not considered signed and sealed and the signature must be verified on any electronic copies.

THIS PRODUCT APPROVAL IS VALID ONLY FOR THE STATE OF FLORIDA

Documents Prepared By:  
Lyndon F. Schmidt  
P.E. No. 43409

*RW*  
BUILDING CONSULTANTS, INC.  
P.O. Box 230, Valrico, FL 33595  
Phone No.: 813.659.9197  
FBPE Registry No. 9813

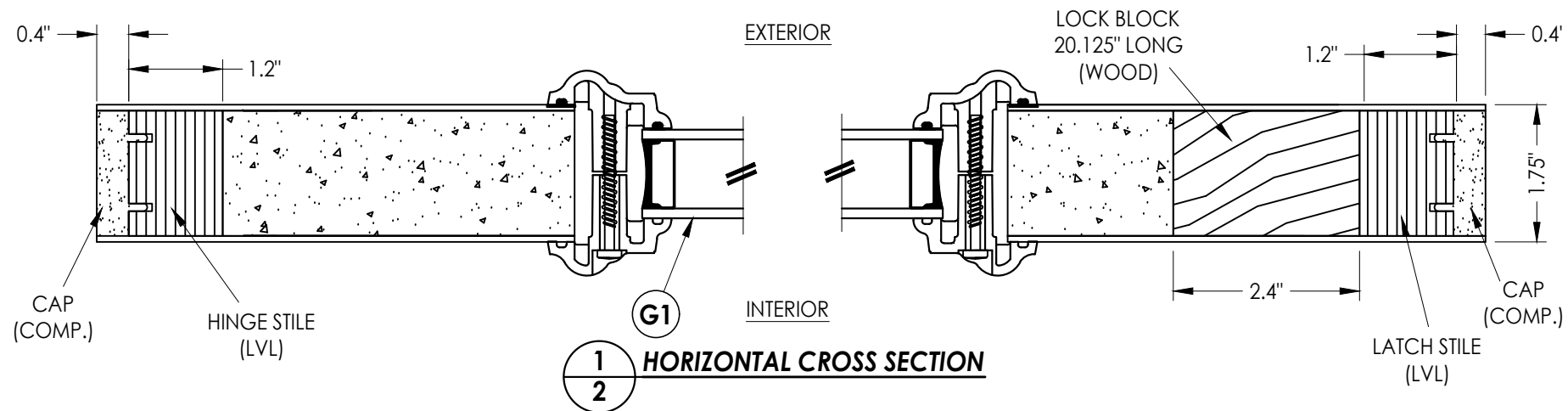
PRODUCT: DOORSCAPES FIBERGLASS DOOR  
PART OR ASSEMBLY: TYPICAL ELEVATION, DESIGN PRESSURES & GENERAL NOTES

NO.	DATE	REVISIONS
2	8/01/23	UPDATE TO 8TH ED. (2023) FBC
1	8/06/20	UPDATE TO 7TH ED. (2020) FBC

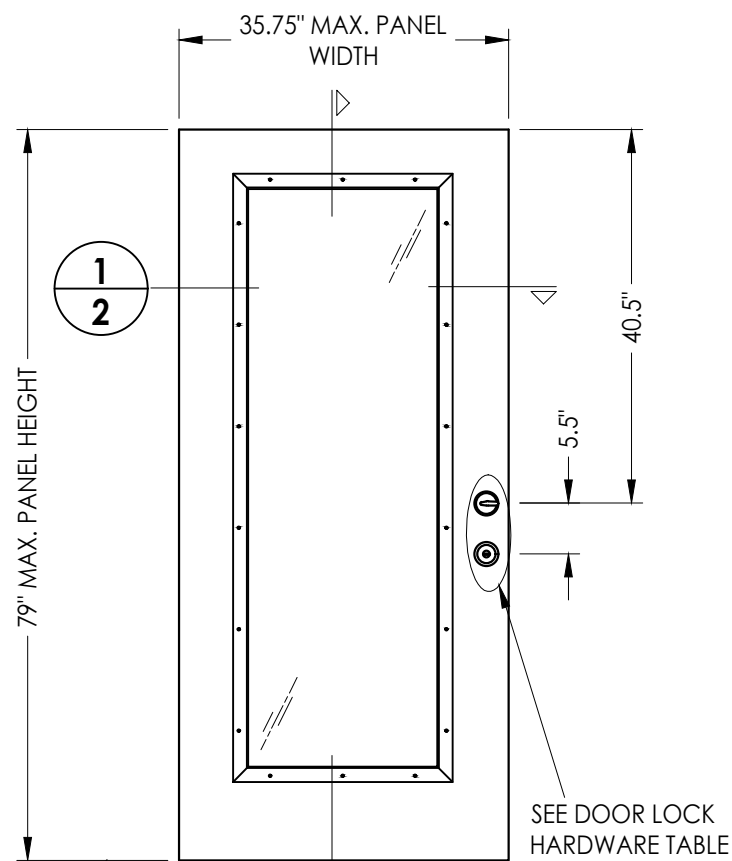
DATE: 1/21/19  
SCALE: N.T.S.  
DWG. BY: MT  
CHK. BY: LFS  
DRAWING NO.: FL-28831.4  
SHEET 1 OF 13

TABLE OF CONTENTS	
SHEET #	DESCRIPTION
1	Typical Elevations, Design Pressures & General Notes
2	Door Panel Details & Glazing Details
3	Sidelite Panel Details
4	Elevations
5	Horizontal & Vertical Cross Sections (2X Buck)
6	Horizontal & Vertical Cross Sections (1X Buck)
7	Horizontal & Vertical Cross Sections (Direct to Masonry)
8	Horizontal Cross Sections
9	Vertical Cross Sections
10	Buck Anchoring
11	Frame Anchoring & Hardware Details
12	Astragal Details
13	Bill of Materials & Components

Z:\2023 FBC Drawings\Doorscapes, Inc\FL-28831 R2 FG Door\FL28831.3-4.dwg



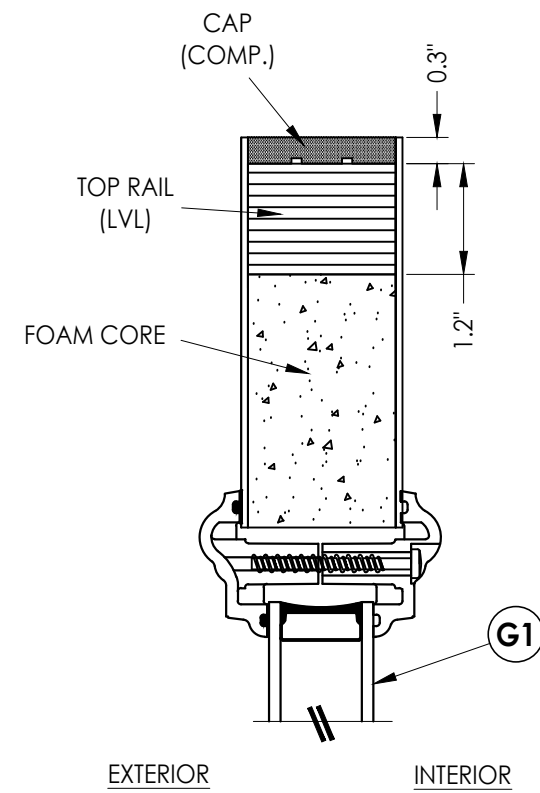
**1**  
**2** **HORIZONTAL CROSS SECTION**



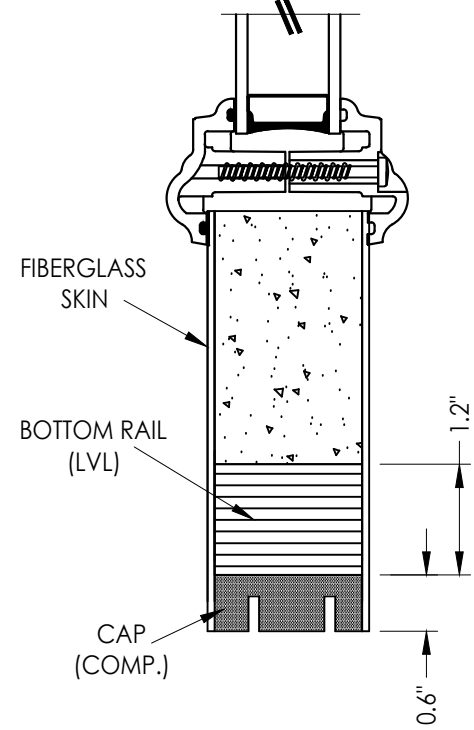
**40** **DOOR PANEL**  
Doorscapes

FIBERGLASS SKIN: 0.075" MIN. THK.  
FOAM CORE: POLYURETHANE -1.9 PCF MIN.

HARDWARE TABLE		
MANUFACTURER	MODEL	
YALE	KNOB:	YE SERIES (10)
	DEADBOLT:	YE SERIES (82E)



**2**  
**2** **VERTICAL CROSS SECTION**



Documents Prepared By:  
Lyndon F. Schmidt  
P.E. No. 43409

**RW** BUILDING CONSULTANTS, INC.  
P.O. Box 230, Valrico, FL 33595  
Phone No.: 813.659.9197  
FBPE Registry No. 9813

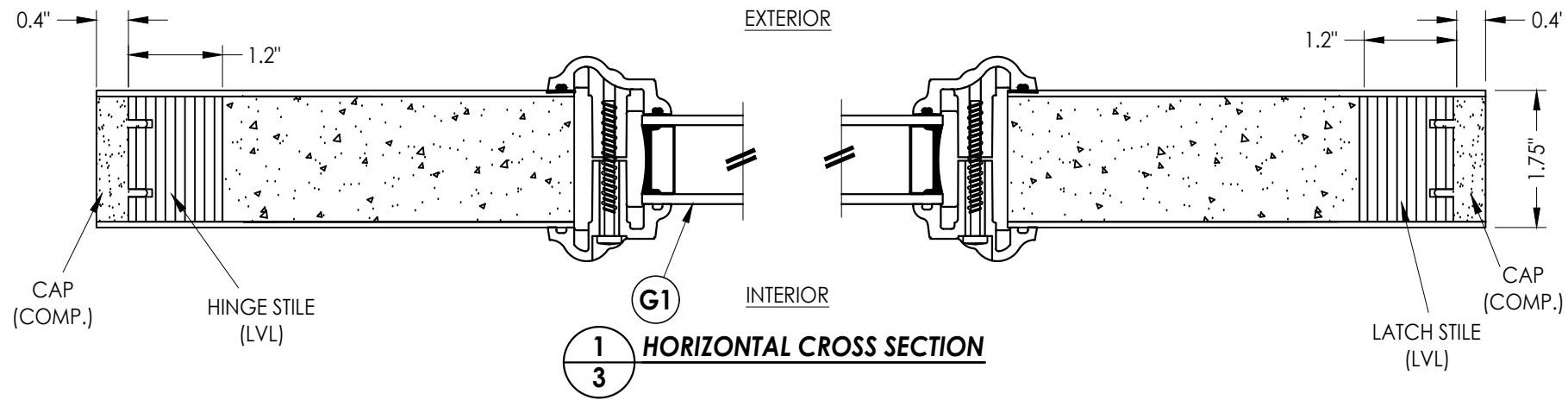
PRODUCT:	DOORSCAPES FIBERGLASS DOOR
PART OR ASSEMBLY:	DOOR PANEL & GLAZING DETAILS

NO.	DATE	REVISIONS
2	8/01/23	UPDATE TO 8TH ED. (2023) FBC
1	8/06/20	UPDATE TO 7TH ED. (2020) FBC
		BY

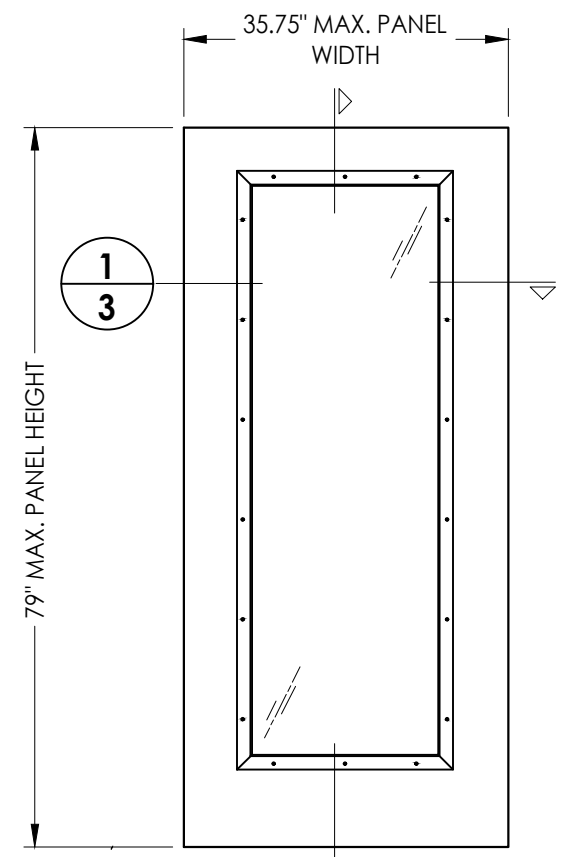
DATE:	1/21/19
SCALE:	N.T.S.
DWG. BY:	MT
CHK. BY:	LFS
DRAWING NO.:	FL-28831.4
SHEET	2 OF 13

© 2019 R.W. BUILDING CONSULTANTS INC.

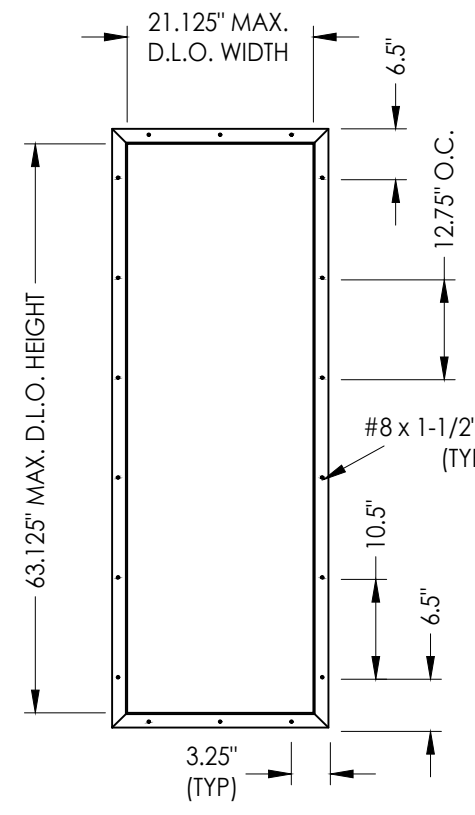
Z:\2023 FBC Drawings\Doorscapes, Inc\FL-28831 R2 FG Door\FL28831.3-4.dwg



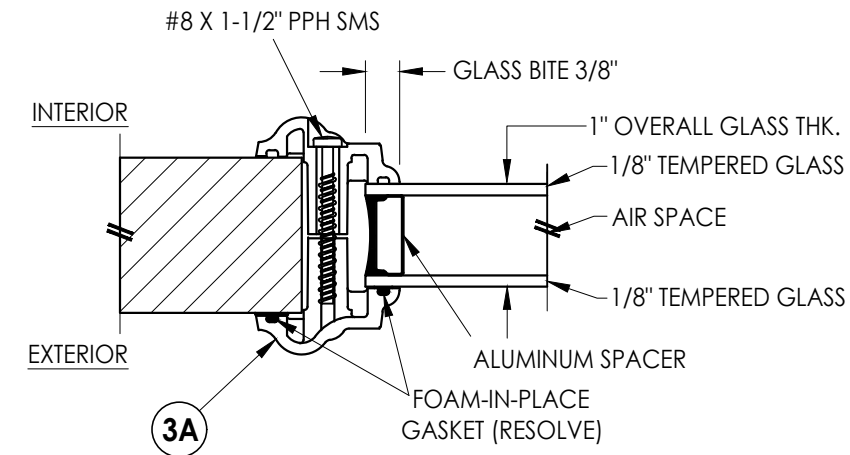
**1**  
**3** **HORIZONTAL CROSS SECTION**



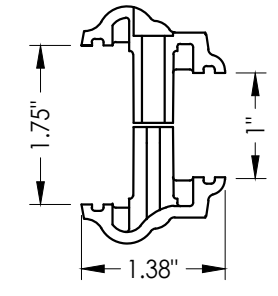
**2**  
**3** **50 SIDELITE PANEL**  
Doorscapes



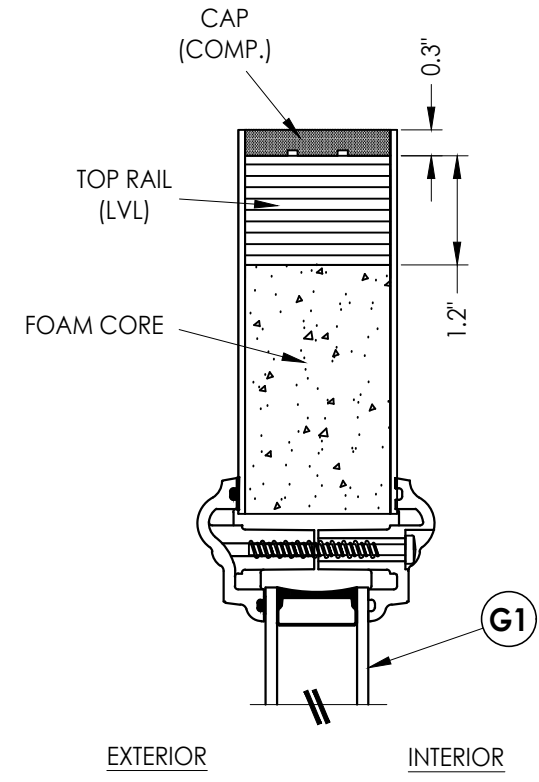
**ODL LITE FRAME**



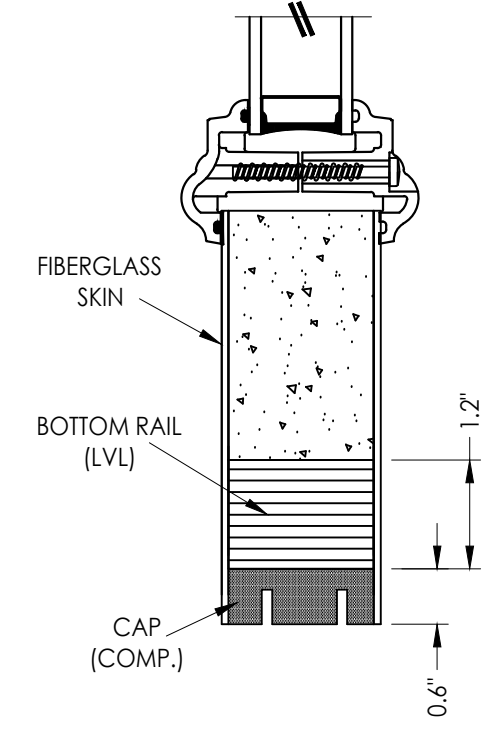
**G1 GLAZING DETAIL**  
ODL LITE FRAME



**3A OD LITE FRAME**  
HP Polypropylene



**2**  
**3** **VERTICAL CROSS SECTION**



FIBERGLASS SKIN: 0.075" MIN. THK.  
FOAM CORE: POLYURETHANE -1.9 PCF MIN.

Documents Prepared By:  
Lyndon F. Schmidt  
P.E. No. 43409

**RW** BUILDING CONSULTANTS, INC.  
P.O. Box 230, Valrico, FL 33595  
Phone No.: 813.659.9197  
FBPE Registry No. 9813

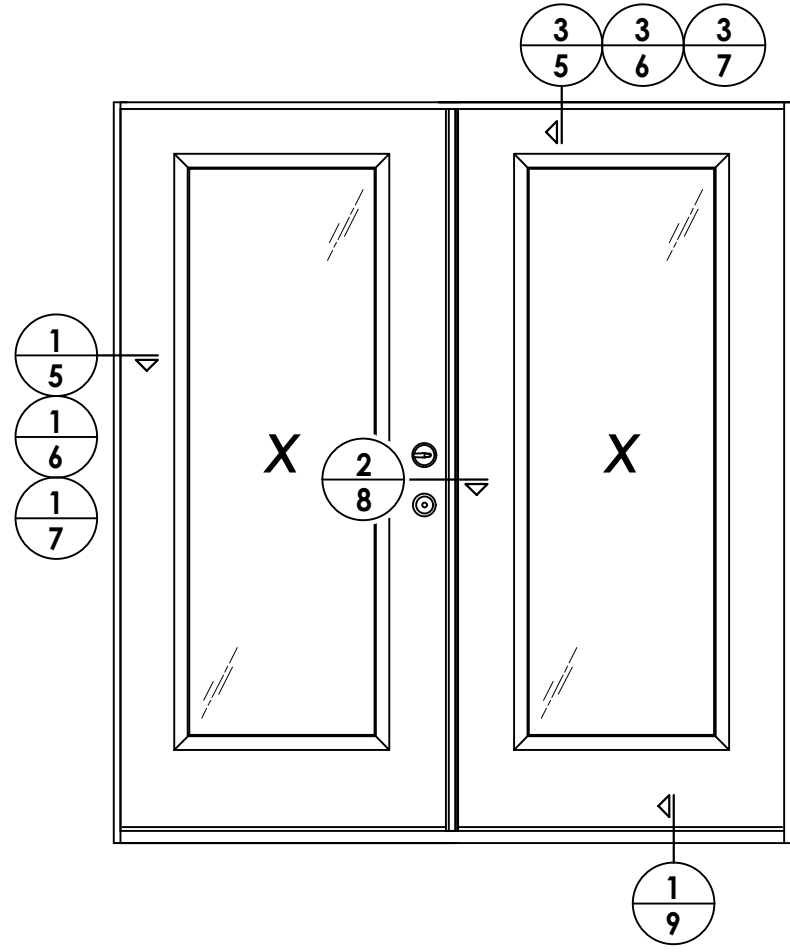
PRODUCT: DOORSCAPES  
FIBERGLASS DOOR

PART OR ASSEMBLY:  
DOOR PANEL &  
GLAZING DETAILS

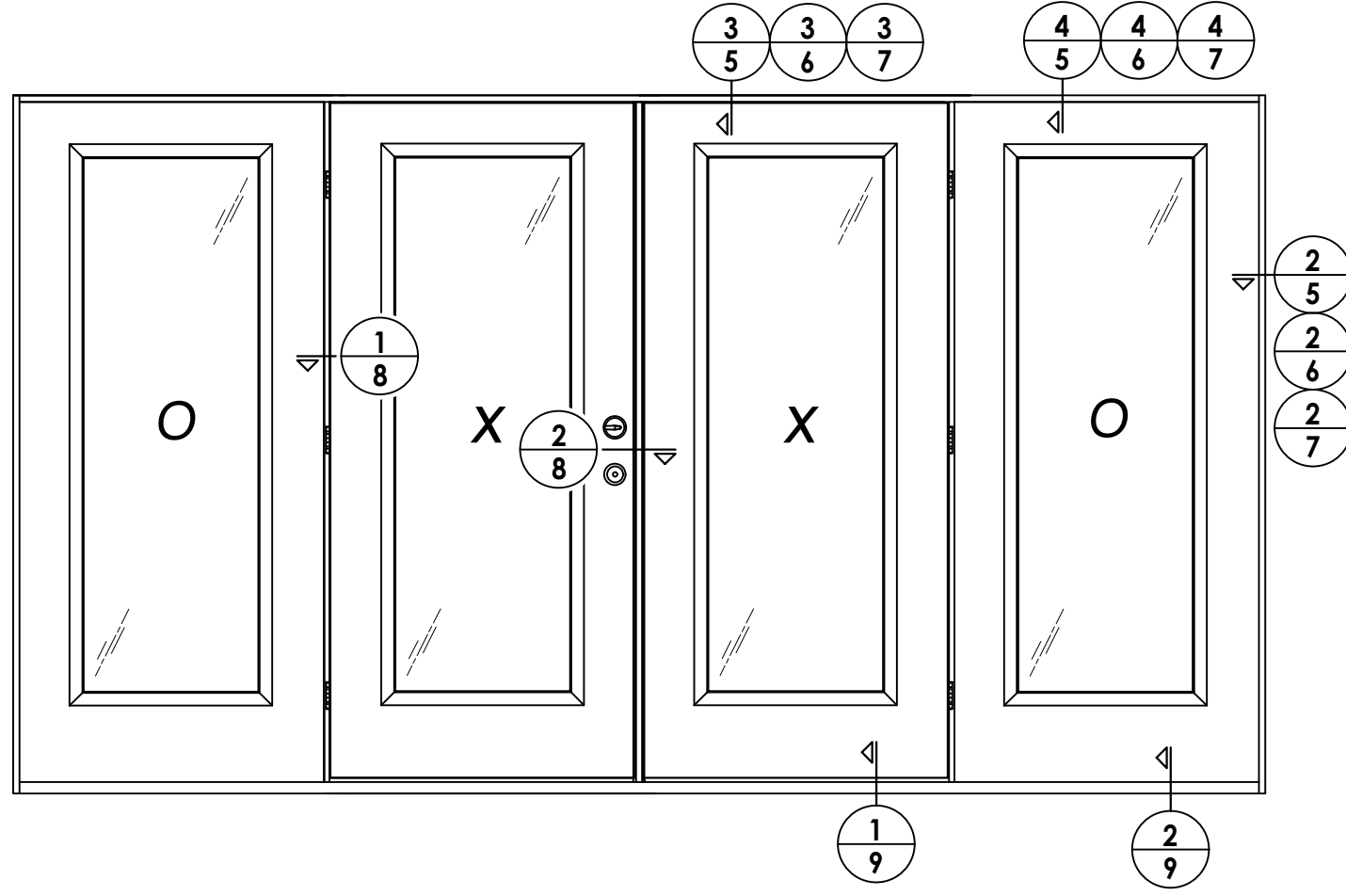
NO.	DATE	BY
2	8/01/23	LFS
1	8/06/20	LFS

DATE:	1/21/19
SCALE:	N.T.S.
DWG. BY:	MT
CHK. BY:	LFS
DRAWING NO.:	FL-28831.4
SHEET	3 OF 13

© 2019 R.W. BUILDING CONSULTANTS INC.



ELEVATION  
XX




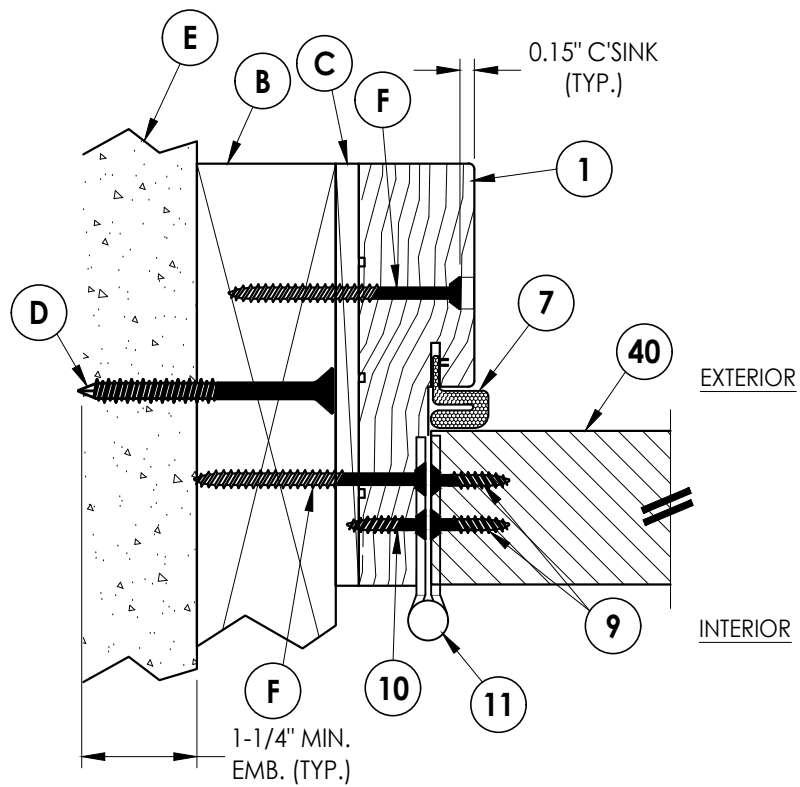
ELEVATION  
OXXO

DATE: 1/21/19  
 SCALE: N.T.S.  
 DWG. BY: MT  
 CHK. BY: LFS  
 DRAWING NO.:  
 FL-28831.4  
 SHEET 4 OF 13

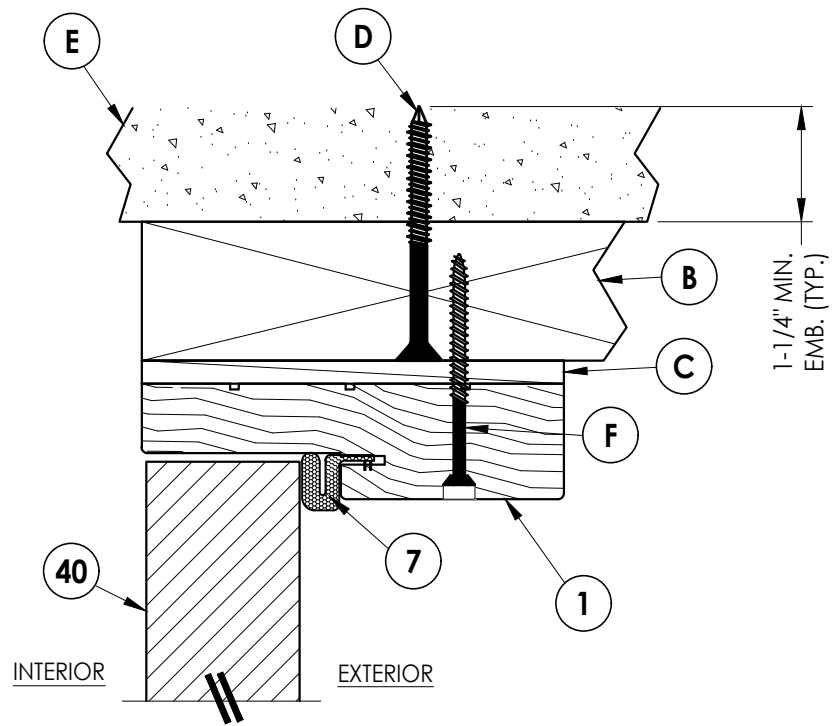
NO.	DATE	REVISIONS
2	8/01/23	UPDATE TO 8TH ED. (2023) FBC
1	8/06/20	UPDATE TO 7TH ED. (2020) FBC

PRODUCT: DOORSCAPES  
 FIBERGLASS DOOR  
 PART OR ASSEMBLY:  
 ELEVATIONS

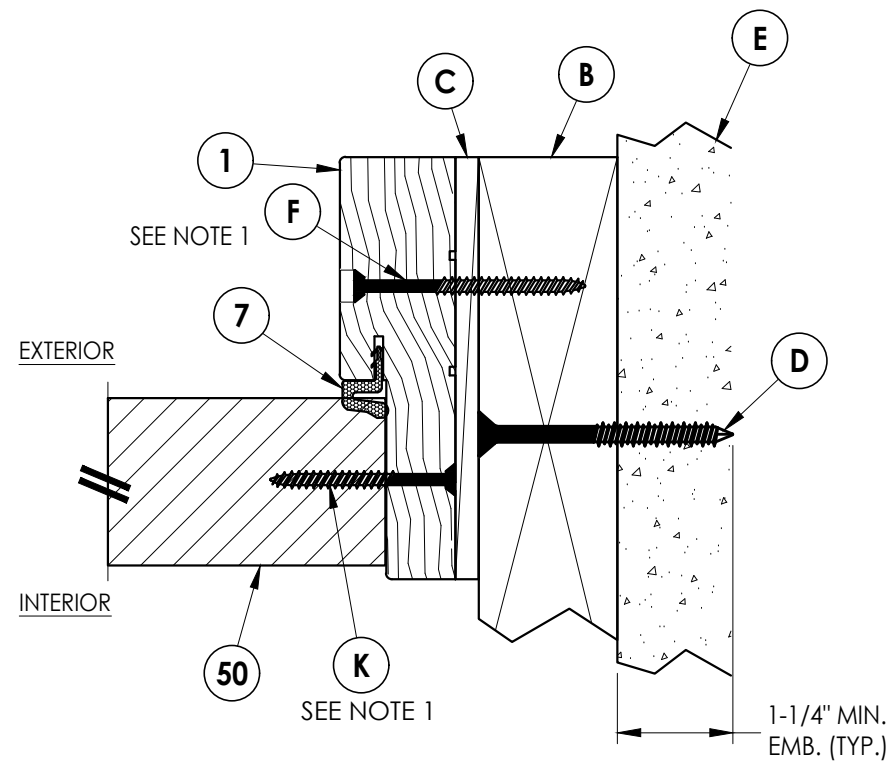
Documents Prepared By:  
 Lyndon F. Schmidt  
 P.E. No. 43409  
  
 BUILDING CONSULTANTS, INC.  
 P.O. Box 230, Valrico, FL 33595  
 Phone No.: 813.659.9197  
 FBPE Registry No. 9813



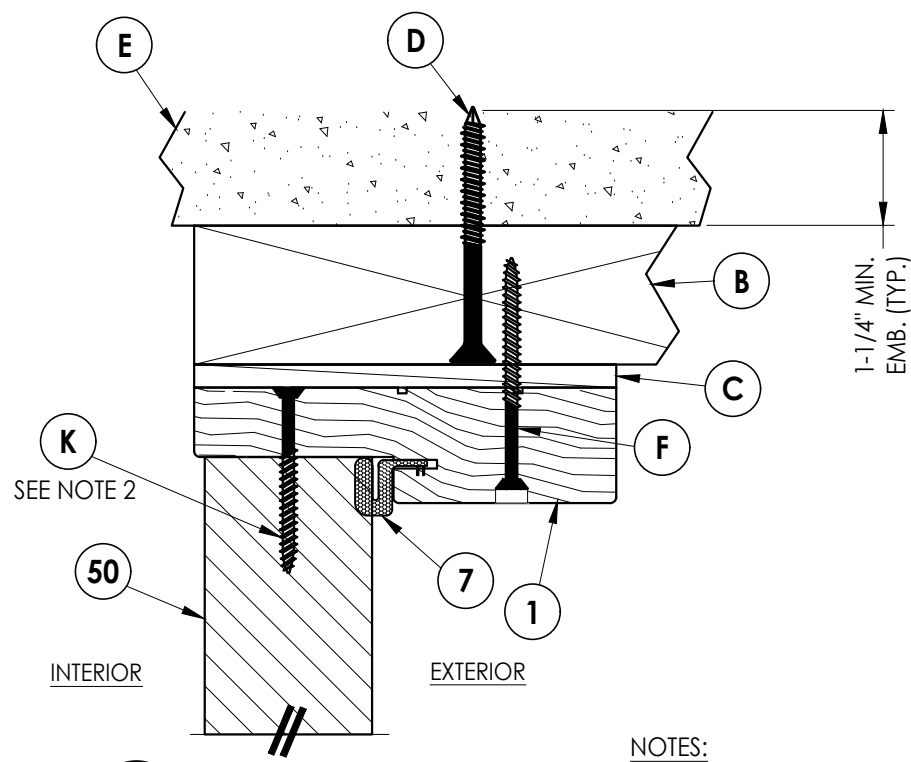
**1 HORIZONTAL CROSS SECTION**  
**5** Inswing  
 2X Buck Construction



**3 VERTICAL CROSS SECTION**  
**5** Inswing  
 2X Buck Construction



**2 HORIZONTAL CROSS SECTION**  
**5** Inswing  
 2X Buck Construction



**4 VERTICAL CROSS SECTION**  
**5** Inswing  
 2X Buck Construction

**NOTES:**

- Sidelite attached @ 6" from each end plus 4 more screws equally spaced between (6 screws total per jamb).
- Sidelite attached @ 3" from each end (2 screws total @ head).

Documents Prepared By:  
 Lyndon F. Schmidt  
 P.E. No. 43409

**RW** BUILDING CONSULTANTS, INC.  
 P.O. Box 230, Valrico, FL 33595  
 Phone No.: 813.659.9197  
 FBPE Registry No. 9813

**PRODUCT:** DOORSCAPES  
 FIBERGLASS DOOR  
**PART OR ASSEMBLY:**  
 HORIZONTAL & VERTICAL  
 CROSS SECTIONS (2X BUCK)

NO.	DATE	BY	REVISIONS
2	8/01/23	LFS	UPDATE TO 8TH ED. (2023) FBC
1	8/06/20	LFS	UPDATE TO 7TH ED. (2020) FBC

DATE: 1/21/19

SCALE: N.T.S.

DWG. BY: MT

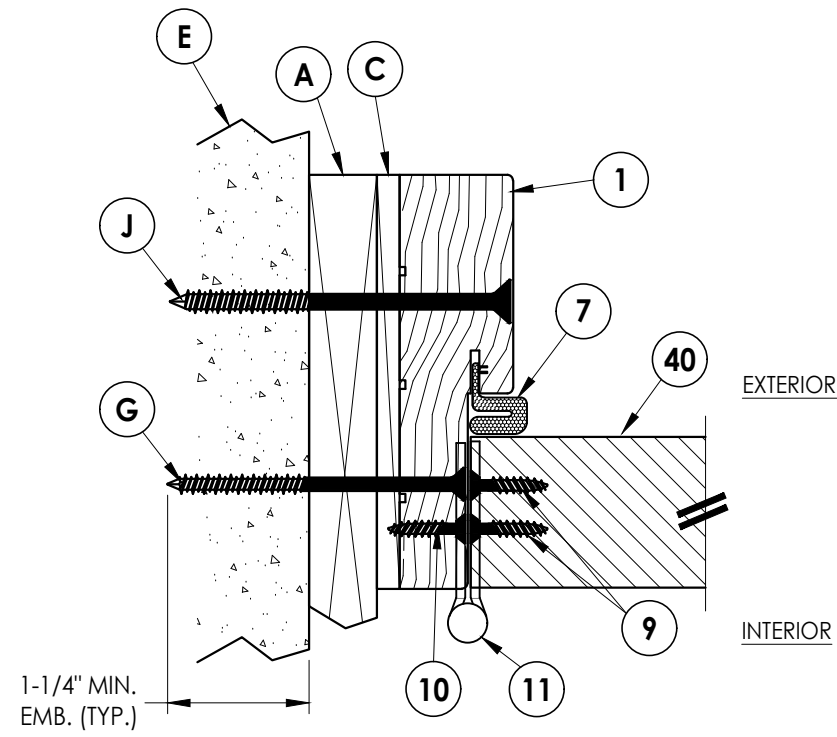
CHK. BY: LFS

DRAWING NO.:

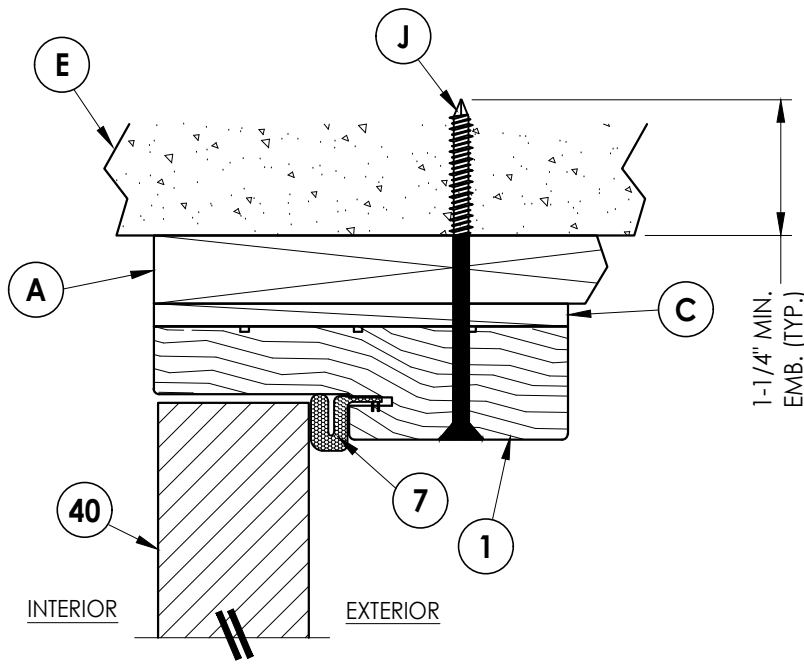
FL-28831.4

SHEET 5 OF 13

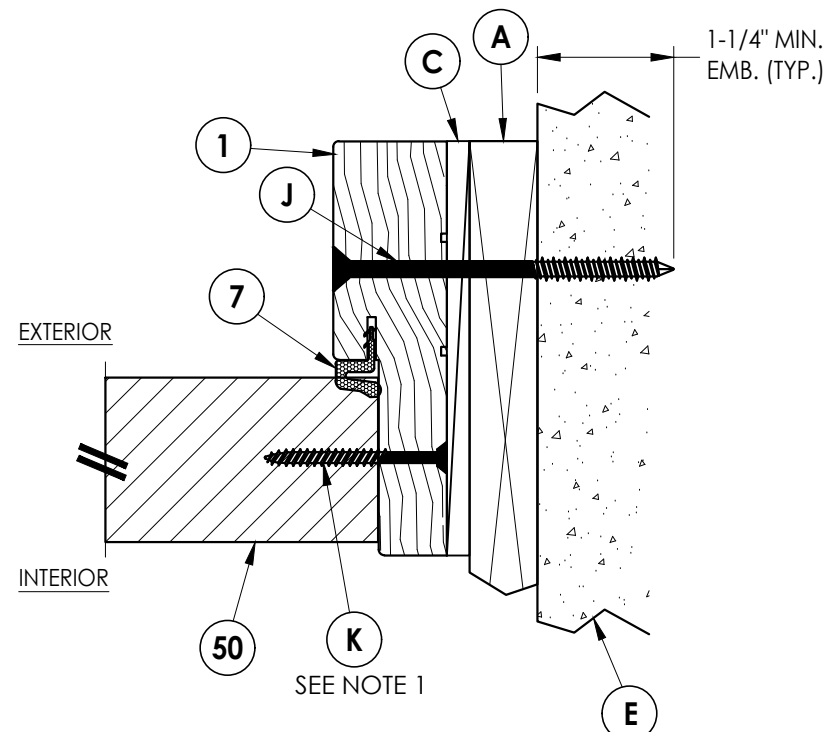
Z:\2023 FBC Drawings\DoorScapes, Inc\FL-28831 R2 FG Door\FL28831.3-4.dwg



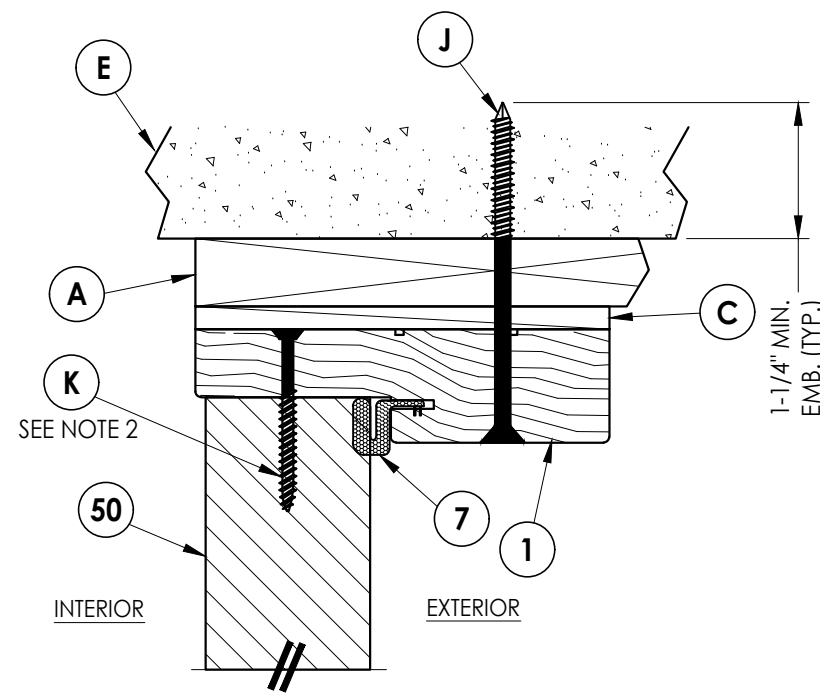
**1**  
**6** **HORIZONTAL CROSS SECTION**  
Inswing  
1X Buck Construction



**3**  
**6** **VERTICAL CROSS SECTION**  
Inswing  
1X Buck Construction



**2**  
**6** **HORIZONTAL CROSS SECTION**  
Inswing  
1X Buck Construction



**4**  
**6** **VERTICAL CROSS SECTION**  
Inswing  
1X Buck Construction

**NOTES:**

- 1. Sidelite attached @ 6" from each end plus 4 more screws equally spaced between (6 screws total per jamb).
- 2. Sidelite attached @ 3" from each end (2 screws total @ head).

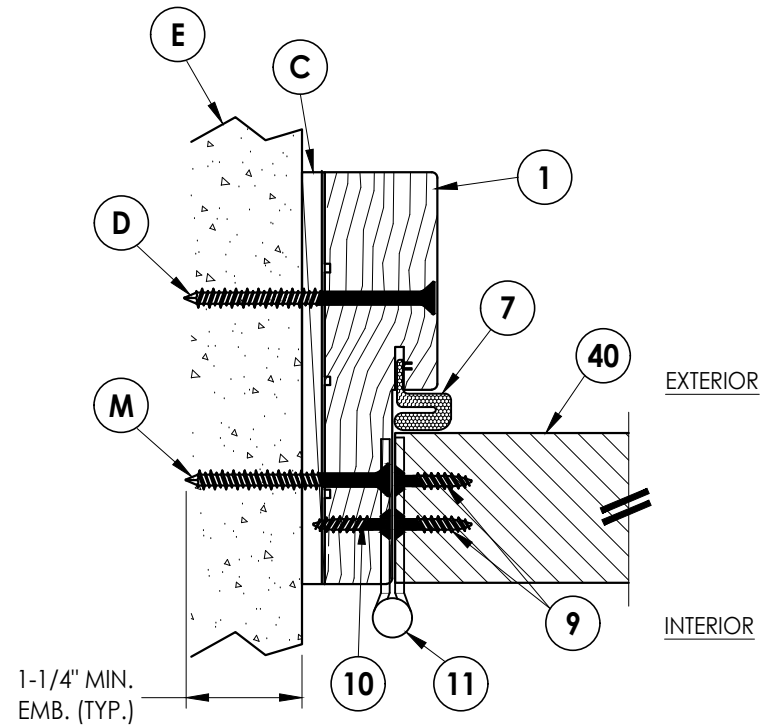
Documents Prepared By:  
Lyndon F. Schmidt  
P.E. No. 43409  
*RW*  
BUILDING CONSULTANTS, INC.  
P.O. Box 230, Valrico, FL 33595  
Phone No.: 813.659.9197  
FBPE Registry No. 9813

PRODUCT: DOORSCAPES  
FIBERGLASS DOOR  
PART OR ASSEMBLY:  
HORIZONTAL & VERTICAL  
CROSS SECTIONS (1X BUCK)

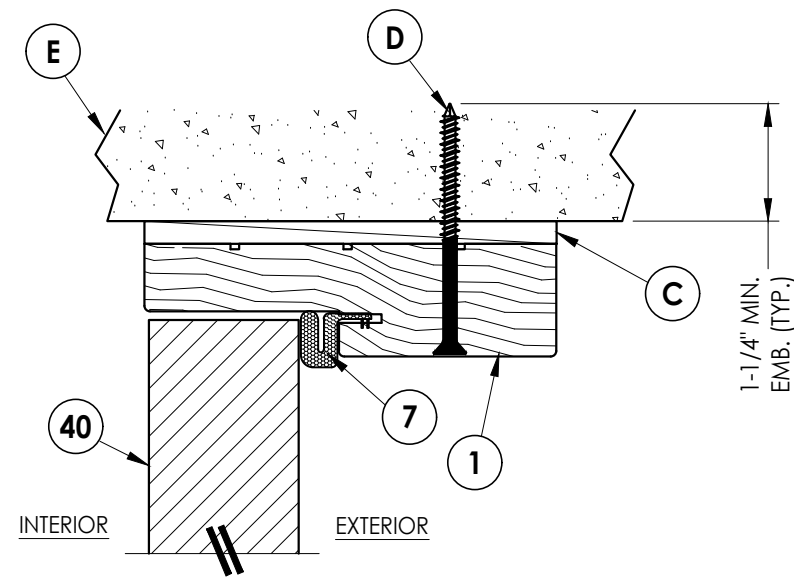


DATE: 1/21/19  
SCALE: N.T.S.  
DWG. BY: MT  
CHK. BY: LFS  
DRAWING NO.: FL-28831.4  
SHEET 6 OF 13

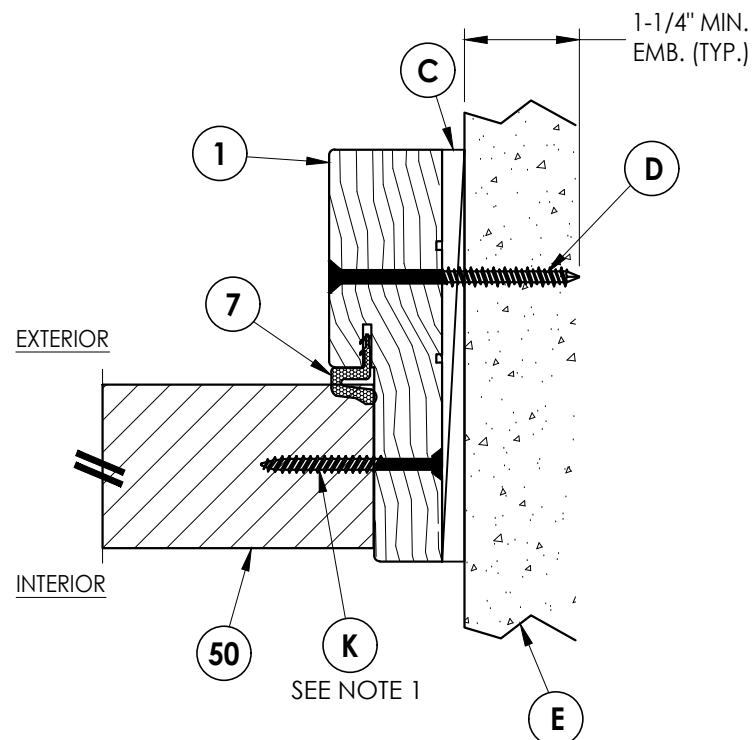
© 2019 R.W. BUILDING CONSULTANTS INC.



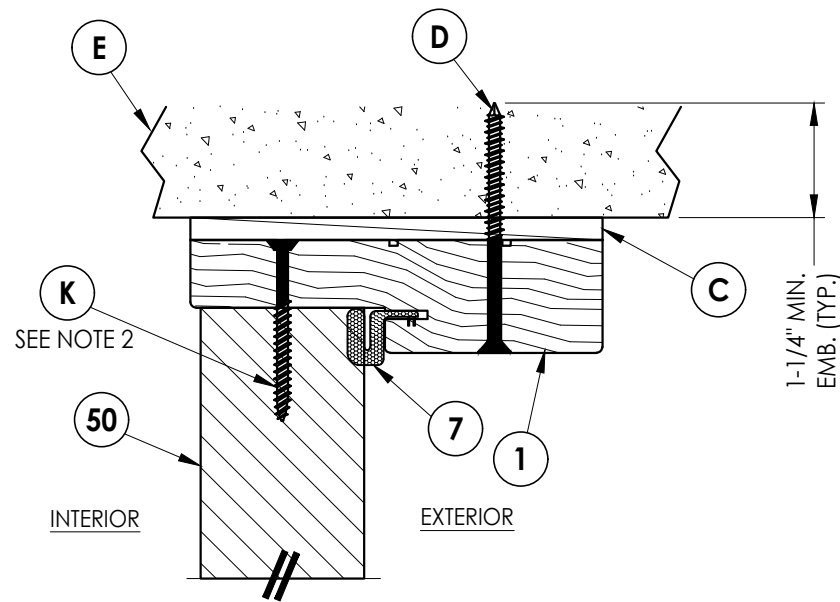
**1 HORIZONTAL CROSS SECTION**  
 7 Inswing  
 Shown Direct to Masonry



**3 VERTICAL CROSS SECTION**  
 7 Inswing  
 Shown Direct to Masonry



**2 HORIZONTAL CROSS SECTION**  
 7 Inswing  
 Shown Direct to Masonry



**4 VERTICAL CROSS SECTION**  
 7 Inswing  
 Shown Direct to Masonry

**NOTES:**

- Sidelite attached @ 6" from each end plus 4 more screws equally spaced between (6 screws total per jamb).
- Sidelite attached @ 3" from each end (2 screws total @ head).

Documents Prepared By:  
 Lyndon F. Schmidt  
 P.E. No. 43409

**RW**  
 BUILDING CONSULTANTS, INC.  
 P.O. Box 230, Valrico, FL 33595  
 Phone No.: 813.659.9197  
 FBPE Registry No. 9813

PRODUCT: DOORSCAPES  
 FIBERGLASS DOOR  
 PART OR ASSEMBLY:  
 HORIZONTAL & VERTICAL CROSS  
 SECTIONS (DIRECT TO MASONRY)

NO.	DATE	REVISIONS
2	8/01/23	UPDATE TO 8TH ED. (2023) FBC LFS
1	8/06/20	UPDATE TO 7TH ED. (2020) FBC LFS
		BY

DATE: 1/21/19

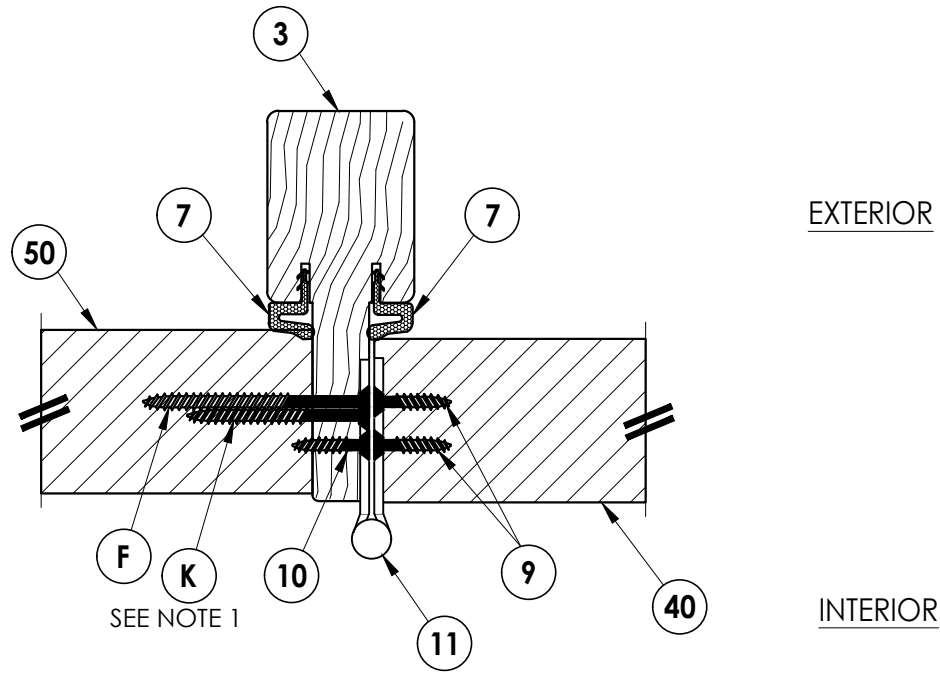
SCALE: N.T.S.

DWG. BY: MT

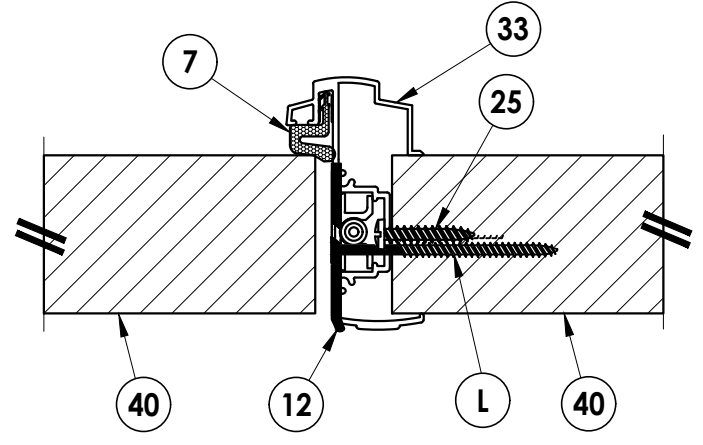
CHK. BY: LFS

DRAWING NO.: FL-28831.4

SHEET 7 OF 13



**1** HORIZONTAL CROSS SECTION  
**8** Inswing



**2** HORIZONTAL CROSS SECTION  
**8** Inswing

**NOTE:**  
 1. Sidelite attached w/ 1 screw equally spaced between each hinge (2 screws total per mullion).

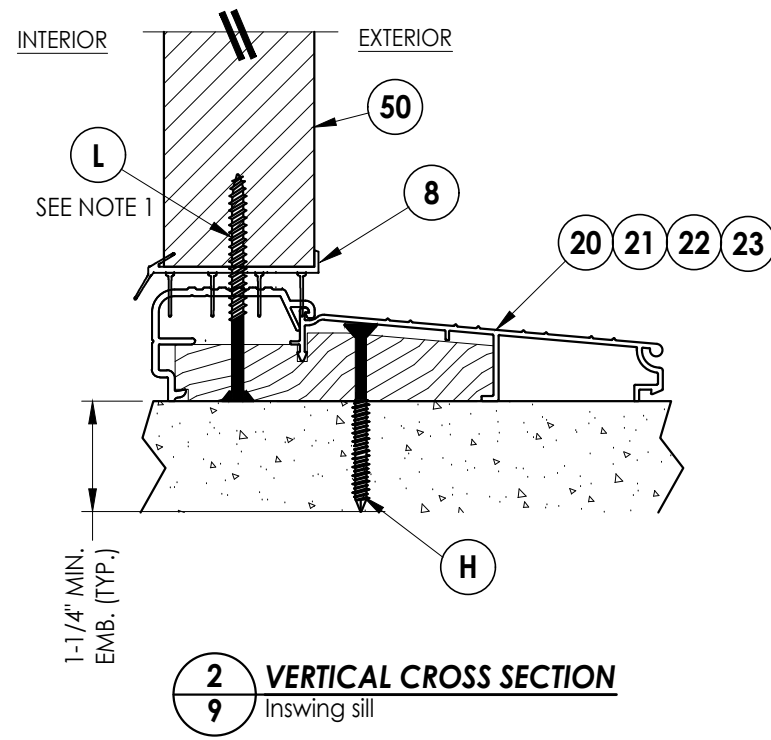
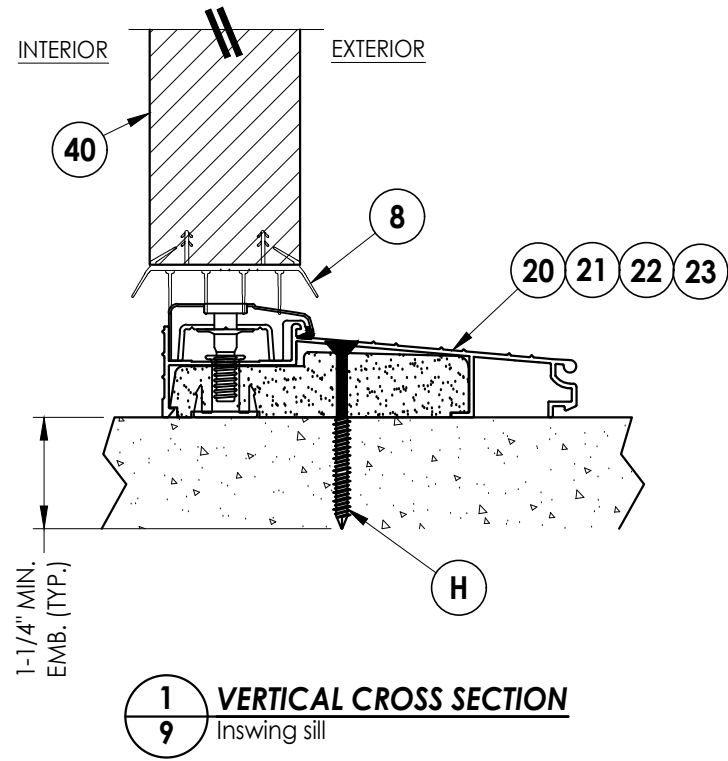
DATE: 1/21/19  
 SCALE: N.T.S.  
 DWG. BY: MT  
 CHK. BY: LFS  
 DRAWING NO.: FL-28831.4  
 SHEET 8 OF 13

REVISIONS	
NO.	DATE
2	8/01/23
1	8/06/20

PRODUCT: DOORSCAPES FIBERGLASS DOOR  
 PART OR ASSEMBLY: HORIZONTAL CROSS SECTIONS

Documents Prepared By:  
 Lyndon F. Schmidt  
 P.E. No. 43409  
 RW BUILDING CONSULTANTS, INC.  
 P.O. Box 230, Valrico, FL 33595  
 Phone No.: 813.659.9197  
 FBPE Registry No. 9813





NOTE:  
1. Sidelite attached @ 3" from each end (2 screws total @ sill).

DATE: 1/21/19  
SCALE: N.T.S.  
DWG. BY: MT  
CHK. BY: LFS  
DRAWING NO.: FL-28831.4  
SHEET 9 OF 13

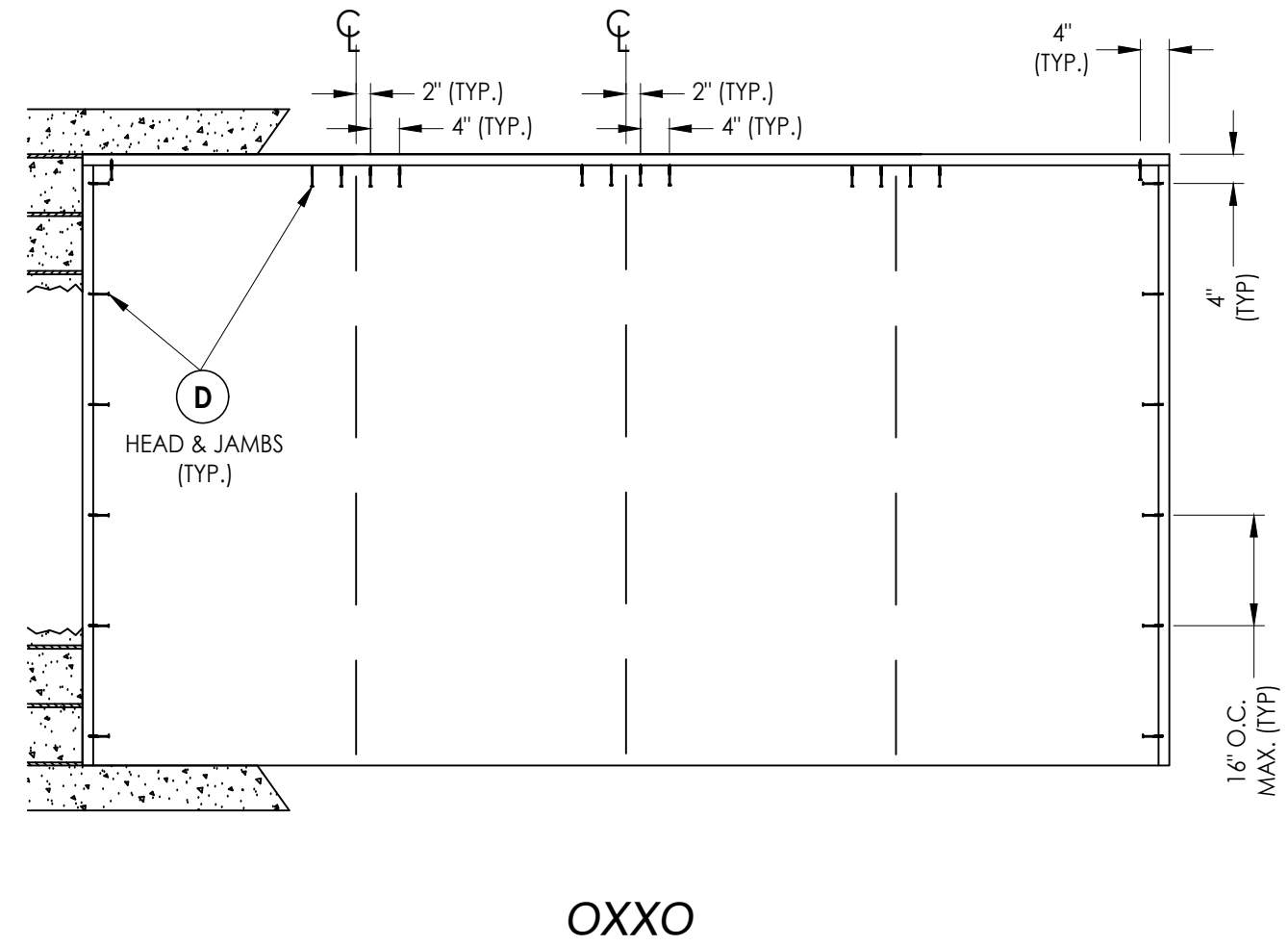
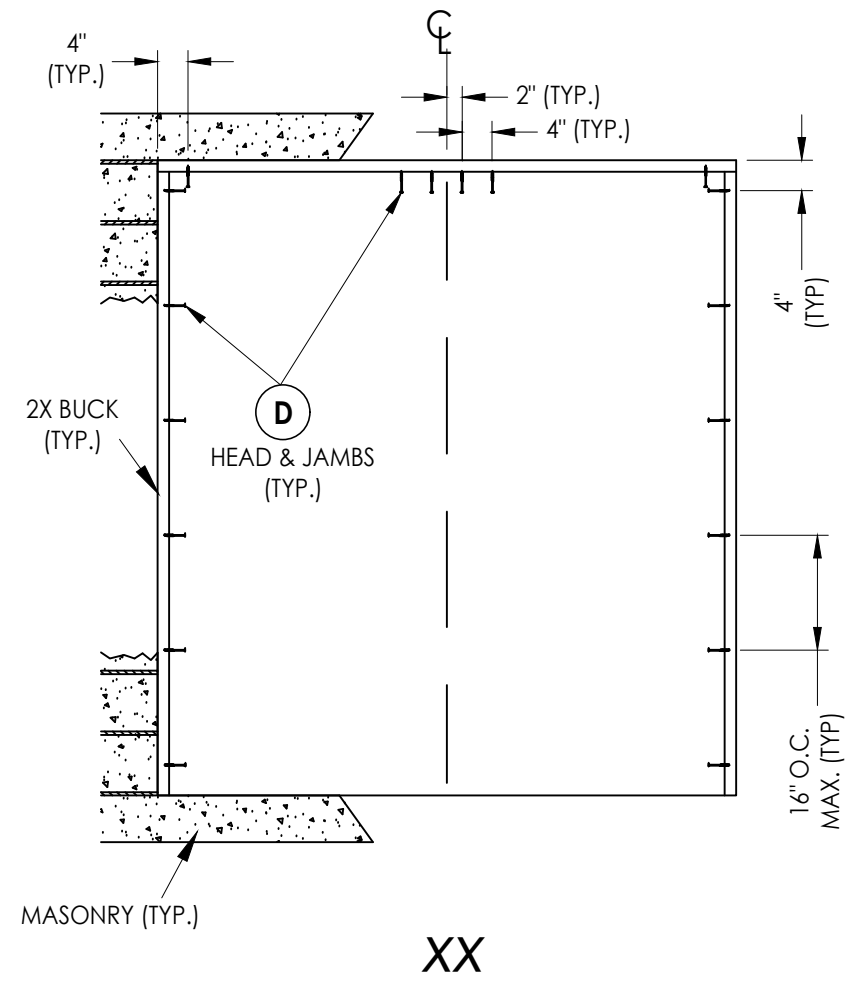
REVISIONS	
NO.	DATE
2	8/01/23
1	8/06/20

PRODUCT: DOORSCAPES  
FIBERGLASS DOOR  
PART OR ASSEMBLY:  
VERTICAL CROSS SECTIONS

Documents Prepared By:  
Lyndon F. Schmidt  
P.E. No. 43409

*RW*

BUILDING CONSULTANTS, INC.  
P.O. Box 230, Valrico, FL 33595  
Phone No.: 813.659.9197  
FBPE Registry No. 9813



**2X BUCK ANCHORING**

DATE:	1/21/19
SCALE:	N.T.S.
DWG. BY:	MT
CHK. BY:	LFS
DRAWING NO.:	FL-28831.4
SHEET	10 OF 13

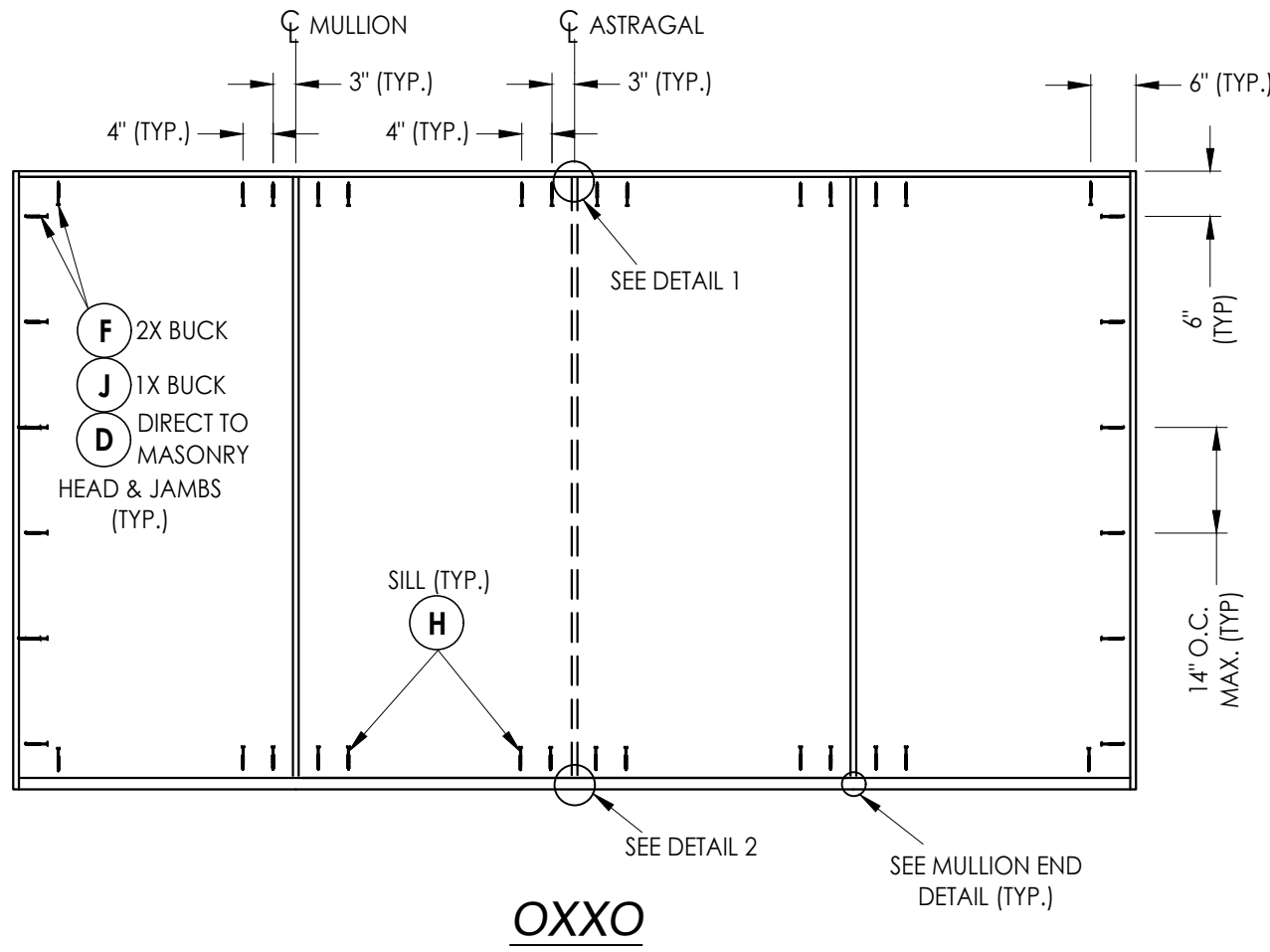
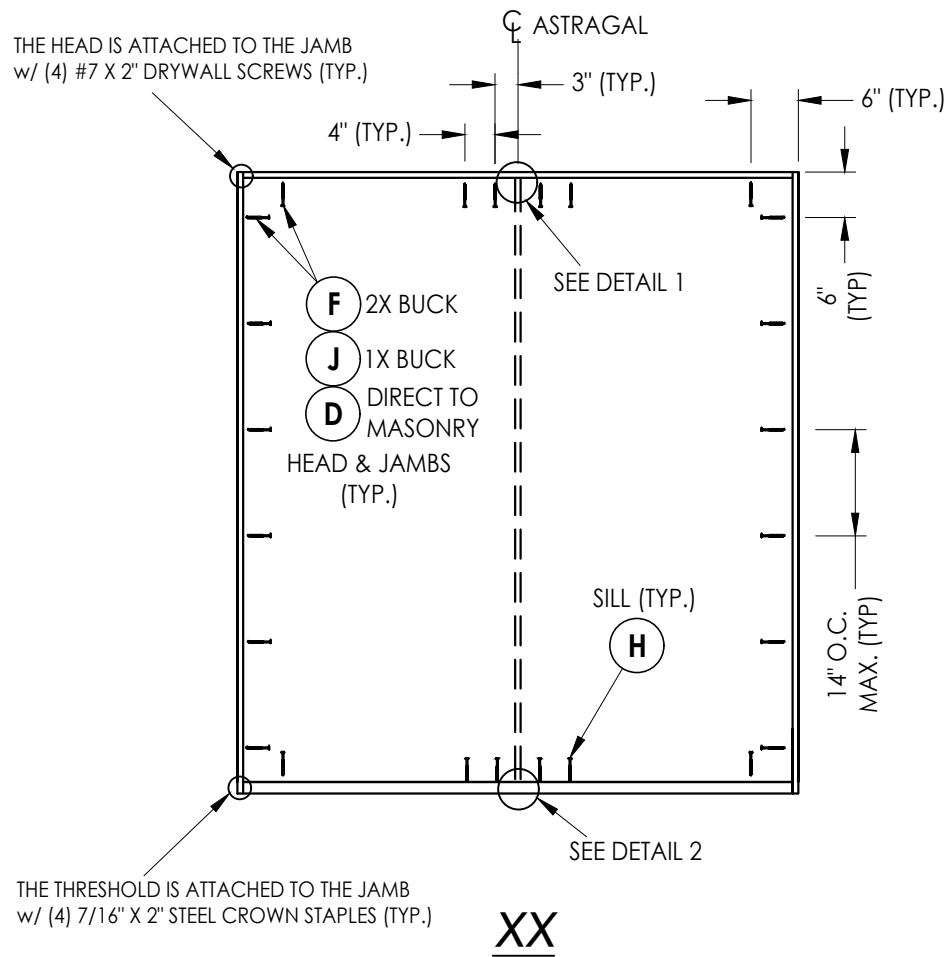
NO.	DATE	REVISIONS
2	8/01/23	UPDATE TO 8TH ED. (2023) FBC LFS
1	8/06/20	UPDATE TO 7TH ED. (2020) FBC LFS

PRODUCT:	DOORSCAPES FIBERGLASS DOOR
PART OR ASSEMBLY:	BUCK ANCHORING

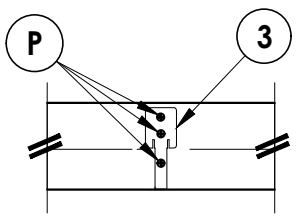
Documents Prepared By:  
Lyndon F. Schmidt  
P.E. No. 43409

*RW* BUILDING CONSULTANTS, INC.  
P.O. Box 230, Valrico, FL 33595  
Phone No.: 813.659.9197  
FBPE Registry No. 9813

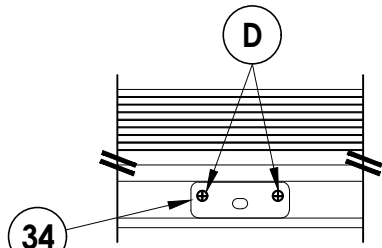
Z:\2023 FBC Drawings\DoorScapes, Inc\FL-28831 R2 FG Door\FL28831.3-4.dwg



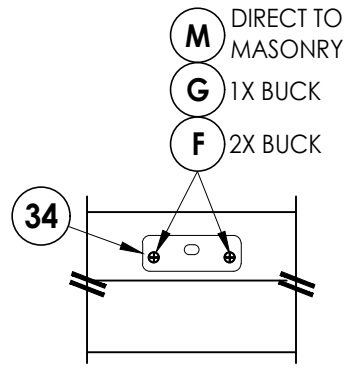
**FRAME ANCHORING**



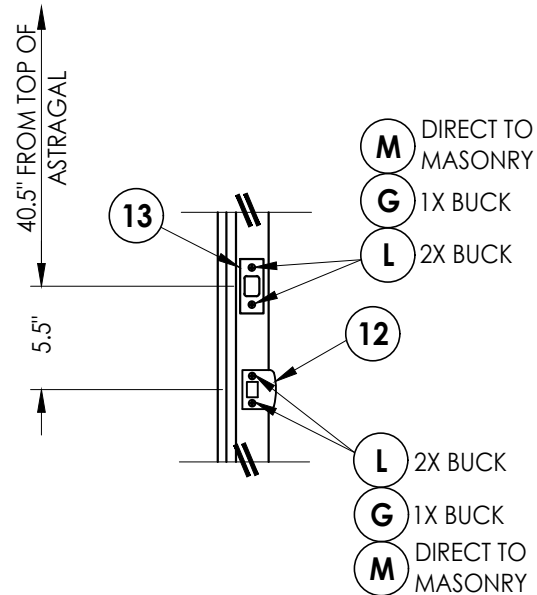
**MULLION END DETAIL**  
(TYP. @ HEAD & SILL)



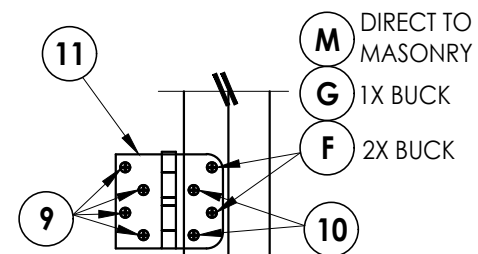
**DETAIL 2**



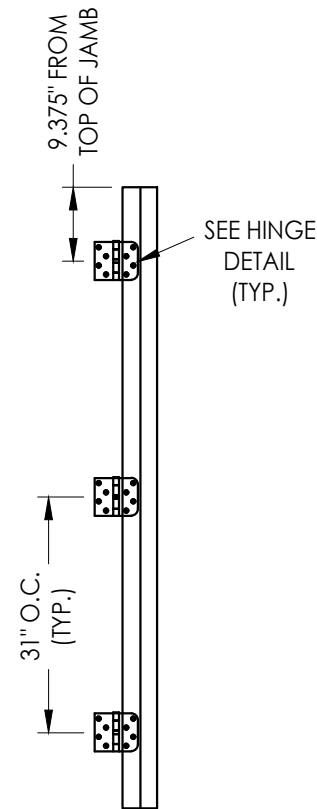
**DETAIL 1**



**LATCH & DEADBOLT STRIKE DETAILS**



**HINGE DETAIL**



**HINGE JAMB**

Documents Prepared By:  
Lyndon F. Schmidt  
P.E. No. 43409

**RW** BUILDING CONSULTANTS, INC.  
P.O. Box 230, Valrico, FL 33595  
Phone No.: 813.659.9197  
FBPE Registry No. 9813

**PRODUCT:**  
DOORSCAPES  
FIBERGLASS DOOR

**PART OR ASSEMBLY:**  
FRAME ANCHORING  
& HARDWARE DETAILS

NO.	DATE	REVISIONS
2	8/01/23	UPDATE TO 8TH ED. (2023) FBC LFS
1	8/06/20	UPDATE TO 7TH ED. (2020) FBC LFS

DATE: 1/21/19

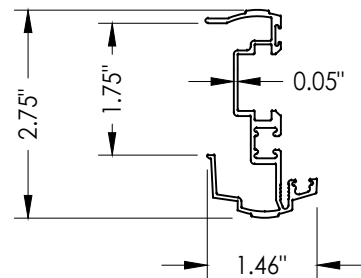
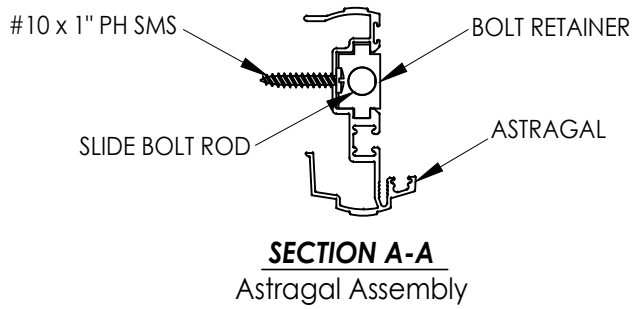
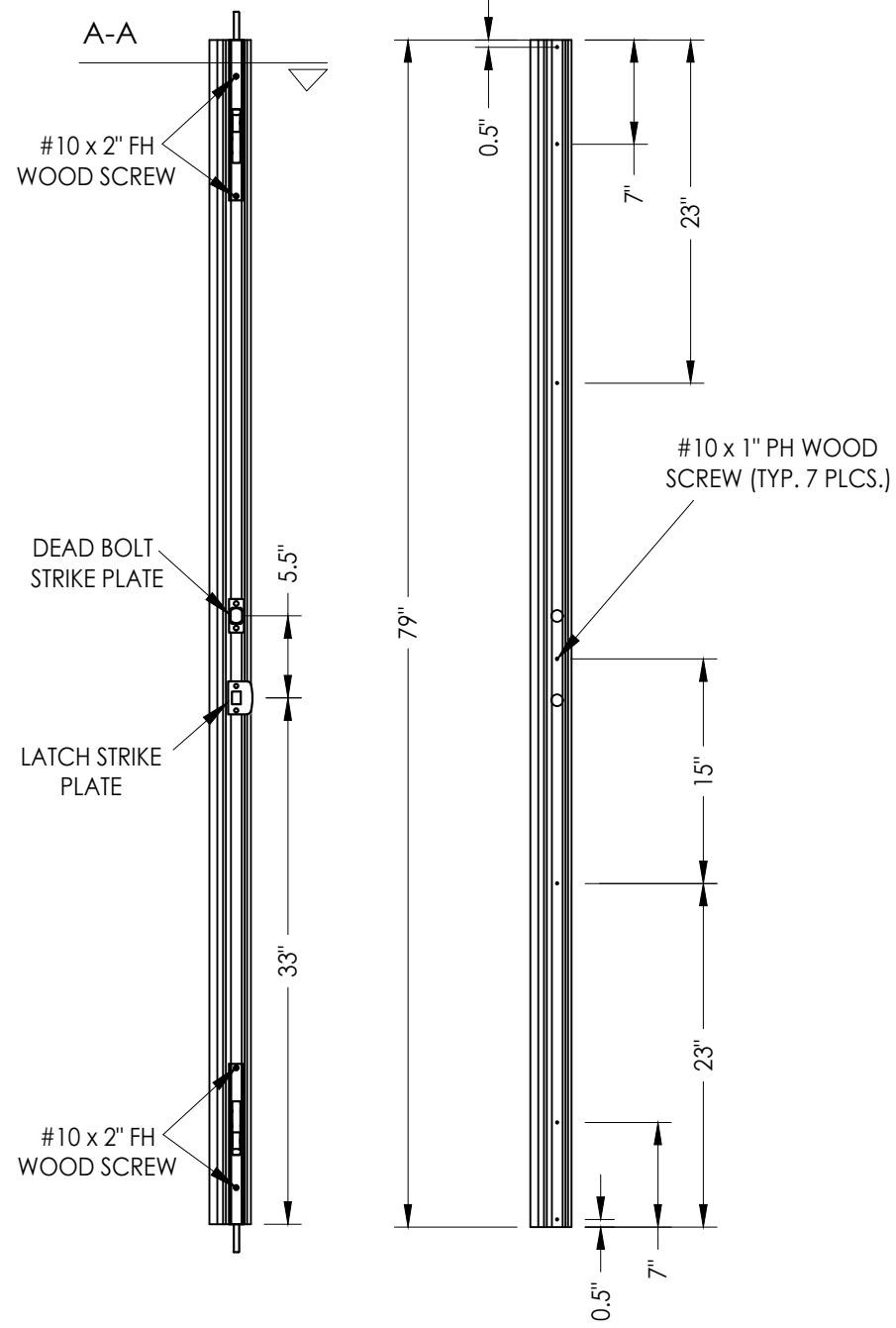
SCALE: N.T.S.

DWG. BY: MT

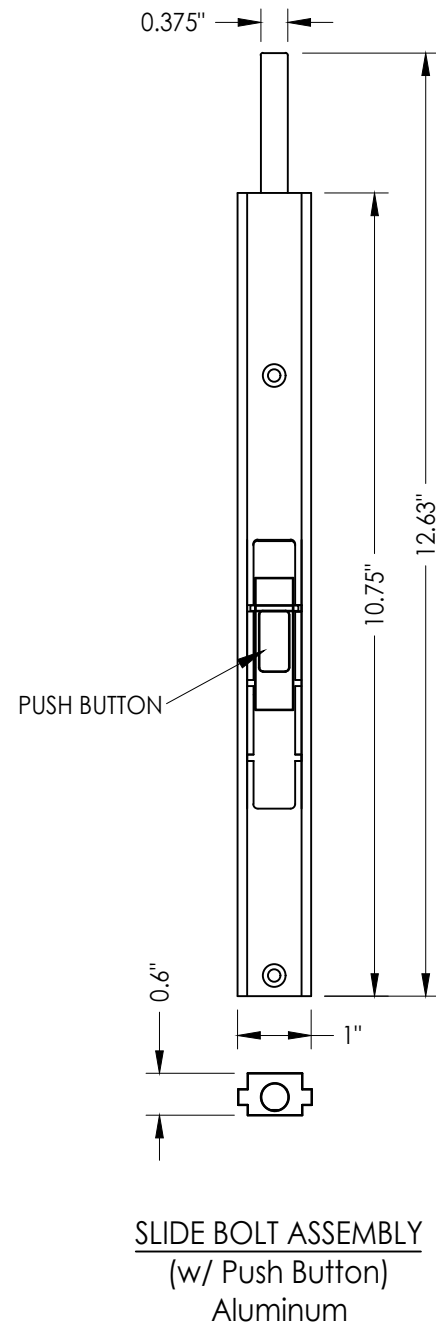
CHK. BY: LFS

DRAWING NO.:  
FL-28831.4

SHEET 11 OF 13



**33** HURRICANE "T" ASTRAGAL by AFCO  
Aluminum



Documents Prepared By:  
Lyndon F. Schmidt  
P.E. No. 43409

**RW**  
BUILDING CONSULTANTS, INC.  
P.O. Box 230, Valrico, FL 33595  
Phone No.: 813.659.9197  
FBPE Registry No. 9813

PRODUCT: DOORSCAPES  
FIBERGLASS DOOR

PART OR ASSEMBLY:  
BUCK ANCHORING

NO.	DATE	REVISIONS
2	8/01/23	UPDATE TO 8TH ED. (2023) FBC LFS
1	8/06/20	UPDATE TO 7TH ED. (2020) FBC LFS
		BY

DATE: 1/21/19

SCALE: N.T.S.

DWG. BY: MT

CHK. BY: LFS

DRAWING NO.:

FL-28831.4

SHEET 12 OF 13

**BILL OF MATERIALS**

ITEM #	DESCRIPTION	MATERIAL
A	1X BUCK (G >= 0.42)	WOOD
B	2X BUCK (G >= 0.42)	WOOD
C	1/4" MAX. SHIM SPACE	-
D	1/4" X 2-3/4" PFH DeWALT OR ITW CONCRETE SCREW	STEEL
E	MASONRY - 3,000 PSI MIN. CONCRETE CONFORMING TO ACI 301 OR HOLLOW BLOCK CONFORMING TO ASTM C90	CONCRETE
F	#10 X 2-1/2" PFH WOOD SCREW (1.15" MIN. EMBEDMENT)	STEEL
G	3/16" X 3-1/4" PFH ITW CONCRETE SCREW	STEEL
H	1/4" X 2-1/4" PFH DeWALT OR ITW CONCRETE SCREW	STEEL
J	1/4" X 3-3/4" PFH DeWALT OR ITW CONCRETE SCREW	STEEL
K	#10 X 2" PFH WOOD SCREW	STEEL
L	#8 X 2-1/2" PFH WOOD SCREW	STEEL
M	3/16" X 2-1/4" PFH ITW CONCRETE SCREW	STEEL
P	#7 X 2-1/2" DRYWALL SCREW	STEEL
1	FINGER JOINT PINE JAMB (G >= 0.42)	WOOD
3	INTEGRAL MULLION (PINE, G >= 0.42)	WOOD
7	WEATHERSTRIP	FOAM
8	DOOR/SIDELITE BOTTOM SWEEP	VINYL
9	#9 X 1" PFH WOOD SCREW	STEEL
10	#10 X 3/4" PFH WOOD SCREW	STEEL
11	4" X 4" BUTT HINGE	STEEL
12	LATCH STRIKE PLATE	STEEL
13	DEADBOLT STRIKE PLATE	STEEL
20	INSWING THRESHOLD (AFCO A-125)	ALUM/WOOD
21	INSWING THRESHOLD (AFCO A-125)	ALUM/COMP
22	INSWING THRESHOLD (AFCO A-276)	ALUM/WOOD
23	INSWING THRESHOLD (AFCO A-280)	ALUM/WOOD
25	#10 X 1" PH SMS	STEEL
33	ALUMINUM ASTRAGAL (AFCO)	ALUM
34	ASTRAGAL STRIKE PLATE	STEEL
40	DOOR PANEL - SEE DOOR PANEL DETAIL SHEET FOR DETAILS	-
50	SIDELITE PANEL - SEE SIDELITE PANEL DETAIL SHEET FOR DETAILS	-

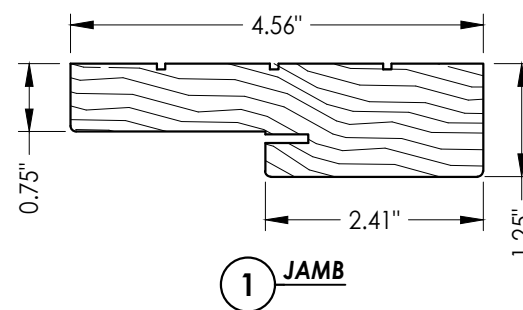
**CONCRETE ANCHOR NOTES:**

- Concrete anchor locations at the corners may be adjusted to maintain the min. edge distance to mortar joints.
- Concrete anchor locations noted as "MAX. ON CENTER" must be adjusted to maintain the min. edge distance to mortar joints, additional concrete anchors may be required to ensure the "MAX. ON CENTER" dimension are not exceeded.
- Concrete anchor table:

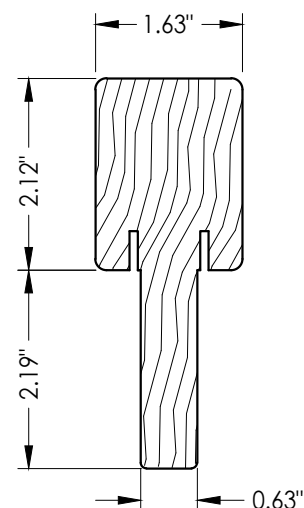
ANCHOR TYPE	ANCHOR SIZE	MIN. EMBEDMENT	MIN. CLEARANCE TO MASONRY EDGE	MIN. CLEARANCE TO ADJACENT ANCHOR
ITW BUILDEX TAPCON®	3/16"	1-1/4"	3"	1-1/2"
	1/4"	1-1/4"	2"	4"
DeWALT ULTRACON®	1/4"	1-1/4"	1"	4"

**WOOD SCREW INSTALLATION NOTES:**

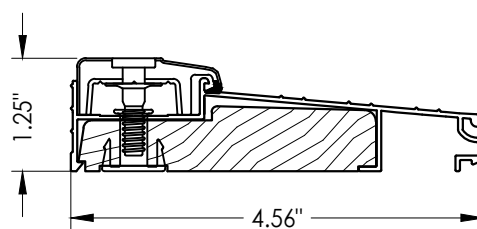
- Maintain a minimum 5/8" edge distance, 1" end distance, & 1" o.c. spacing of wood screws to prevent the splitting of wood.



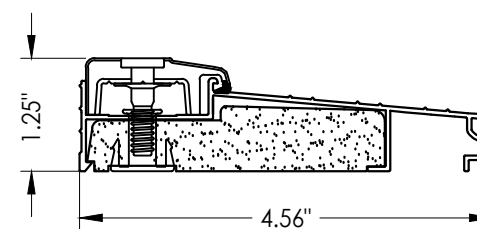
**1 JAMB**



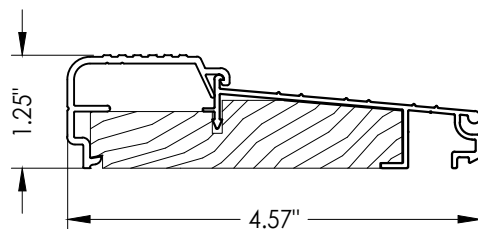
**3 INTEGRAL MULLION**



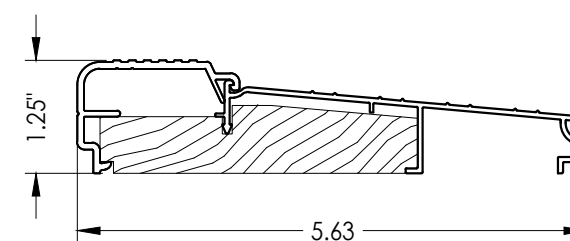
**20 INSWING ADJUSTABLE THRESHOLD**



**21 INSWING ADJUSTABLE THRESHOLD**



**22 INSWING FIXED THRESHOLD**



**23 INSWING FIXED THRESHOLD**

Documents Prepared By:  
Lyndon F. Schmidt  
P.E. No. 43409

PRODUCT:  
DOORSCAPES  
FIBERGLASS DOOR

BUILDING CONSULTANTS, INC.  
P.O. Box 230, Vairico, FL 33595  
Phone No.: 813.659.9197  
FBPE Registry No. 9813

RW

PART OR ASSEMBLY:  
BILL OF MATERIALS  
& COMPONENTS

REVISIONS	
NO.	DATE
2	8/01/23 UPDATE TO 8TH ED. (2023) FBC
1	8/06/20 UPDATE TO 7TH ED. (2020) FBC
	LFS
	BY

DATE: 1/21/19

SCALE: N.T.S.

DWG. BY: MT

CHK. BY: LFS

DRAWING NO.:

FL-28831.4

SHEET 13 OF 13